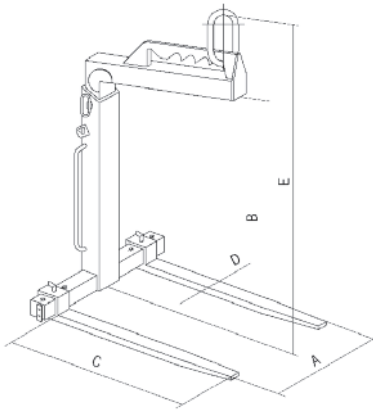


TKG-VH 'MANUAL' BALANCE CRANE FORKS

The TKG-VH range of crane forks are equipped with adjustable tines and have an adjustable height mast. The balancing system engages when the master link is manually hooked into the appropriate notch.



- Factor of safety 4 : 1
- Maintenance free.
- Highly visible safety colour.
- For transporting rings or coils, simply push fork tines together.
- Easily adjustable tines for all pallet sizes.
- Supplied with chain for securing the load.

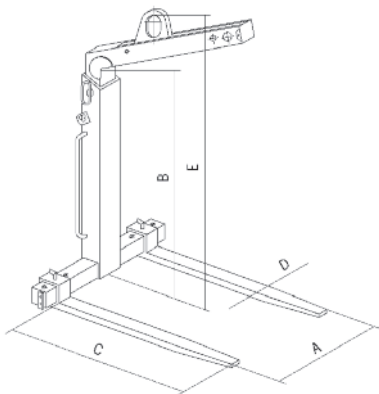


Model	WLL* kg	Adjustment of tines (A) mm	Useable height (B) mm	Length of tines (C) mm	Section of tines (D) mm	Overall height (E) mm	Weight kg
TKG1.0vh	0 - 1000	350 - 900	1100 - 1600	1000	100 x 30	1390 - 1890	130
TKG2.0vh	0 - 2000	400 - 900	1300 - 2000	1000	120 x 40	1640 - 2340	200
TKG3.0vh	0 - 3000	450 - 900	1300 - 2000	1000	120 x 50	1670 - 2370	250
TKG5.0vh	0 - 5000	500 - 1000	1300 - 2000	1000	150 x 60	1700 - 2400	370

TKG-VHS 'SELF WEIGHT' BALANCE CRANE FORKS

The TKG-VHS range of crane forks are equipped with adjustable tines, adjustable mast height and a self weight balancing system. Crane forks with self weight balancing* tend to point their tines upwards when being transported, this prevents the load from unintentionally slipping off the tines.

The self weight balancing mechanism returns the lifting point to the unloaded position when the load is set down. For efficient operation of this mechanism the load must be greater than 20% of the working load limit.



- Factor of safety 4 : 1
- Maintenance free.
- Highly visible safety colour.
- For transporting rings or coils, simply push fork tines together.
- Easily adjustable tines for all pallet sizes.
- Supplied with chain for securing the load.



**NB: The automatic balancing system requires a minimum load of 20% of the crane forks working load limit.*

Model	WLL* kg	Adjustment of tines (A) mm	Useable height (B) mm	Length of tines (C) mm	Section of tines (D) mm	Overall height (E) mm	Weight kg
TKG1.0vhs	*200 - 1000	350 - 900	1100 - 1600	1000	100 x 30	1420 - 1920	140
TKG2.0vhs	*400 - 2000	400 - 900	1300 - 2000	1000	120 x 40	1655 - 2355	220
TKG3.0vhs	*600 - 3000	450 - 900	1300 - 2000	1000	120 x 50	1720 - 2420	280
TKG5.0vhs	*1000 - 5000	500 - 1000	1300 - 2000	1000	150 x 60	1710 - 2410	380