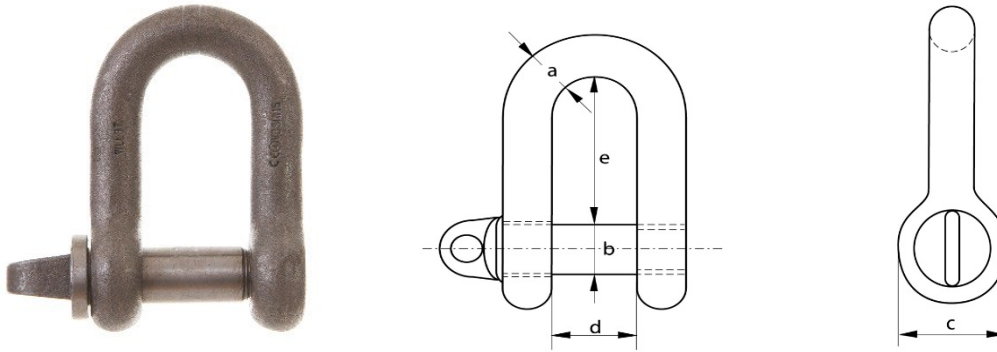


Large Dee Shackle – Type A Screw Pin



W.L.L tonnes	a Inches	b Inches	c inches	d Inches	e Inches	Weight kgs
0.75	1/2	5/8	1.1/4	1.1/8	2.1/8	0.35
1.5	5/8	3/4	1.1/2	1.1/4	2.1/2	0.63
2	3/4	7/8	1.3/4	1.1/2	2.7/8	1
3	7/8	1	2	1.3/4	3.1/4	1.54
5	1.1/8	1.1/4	2.1/2	2.1/8	4.1/8	3.11
6	1.1/4	1.3/8	2.3/4	2.3/8	4.1/2	4.33
9.5	1.1/2	1.3/4	3.1/2	2.3/4	5.3/8	8.46

- **Material** **Body and pin high tensile steel**
- **Standard** **BS3032**
- **Certificates** **As standard an EC declaration of conformity is supplied**
- **Ultimate load is 5 times working load limit**